

2MP VF Vandal-resistant Network IR Fixed Dome Camera

IPC3232LR3-VSP(Z28)-D



Key Features

Optics

- Day/night functionality
- Smart IR, up to 30m (98ft) IR distance
- IR anti-reflection window to increase the infrared transmittance
- 2D/3D DNR (Digital Noise Reduction)

Compression

- Ultra 265, H.265, H.264, MJPEG
- Triple streams

Network

- ONVIF Conformance

Structure

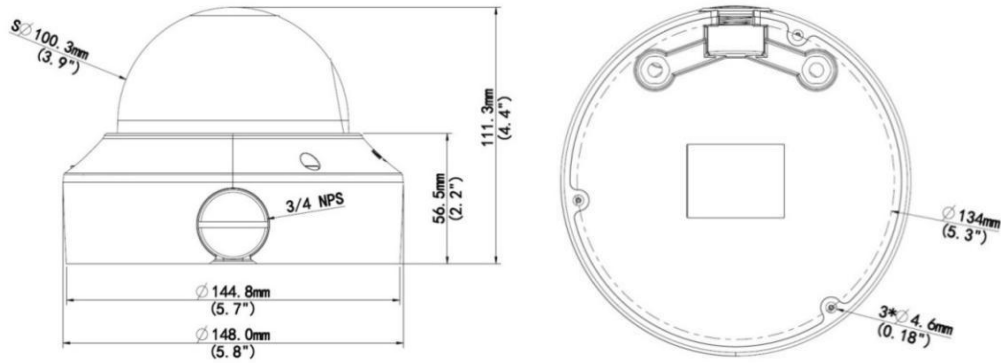
- Wide temperature range: $-40^{\circ}\text{C} \sim 60^{\circ}\text{C}$ ($-40^{\circ}\text{F} \sim 140^{\circ}\text{F}$)
- Wide voltage range of $\pm 25\%$
- IK10 vandal resistant
- IP67
- 3-Axis

Specifications

| | IPC3232LR3-VSP-D | IPC3232LR3-VSPZ28-D | | | |
|-------------------------|--|---------------------|----------------|---------------------------------|-------------------|
| Camera | | | | | |
| Sensor | 1/2.7", 2.0 megapixel, progressive scan, CMOS | | | | |
| Lens | 2.8 ~ 12mm, manual zoom lens | | | 2.8 ~ 12mm, motorized zoom lens | |
| DORI Distance | Lens (mm) | Detect (m) | Observe (m) | Recognize (m) | Identify (m) |
| | 2.8 | 42 | 16.8 | 8.4 | 4.2 |
| | 12 | 180 | 72 | 36 | 18 |
| Angle of View (H) | 112.7° ~ 28.1° | | | | |
| Angle of View (V) | 60.1° ~ 15.4° | | | | |
| Angle of View (O) | 146.5° ~ 33.2° | | | | |
| Adjustment angle | Pan: 0° ~ 360° | | Tilt: 0° ~ 80° | | Rotate: 0° ~ 360° |
| Shutter | Auto/Manual, 1 ~ 1/100000s | | | | |
| Minimum Illumination | Colour: 0.01Lux (F1.6, AGC ON) 0Lux with IR | | | | |
| Day/Night | IR-cut filter with auto switch (ICR) | | | | |
| Digital noise reduction | 2D/3D DNR | | | | |
| IR Range | Up to 30m (98ft) IR range | | | | |
| Defog | Digital Defog | | | | |
| WDR | DWDR | | | | |
| Video | | | | | |
| Video Compression | Ultra 265, H.265, H.264, MJPEG | | | | |
| H.264 code profile | Baseline profile, Main Profile | | | | |
| Frame Rate | Main Stream: 1080P (1920*1080), Max 30fps; Sub Stream: 720P (1280*720), Max 30fps; Third Stream: D1 (704*576), Max 30fps | | | | |
| HLC | Supported | | | | |
| BLC | Supported | | | | |
| OSD | Up to 4 OSDs | | | | |
| Privacy Mask | Up to 4 areas | | | | |
| ROI | Up to 2 areas | | | | |
| Motion Detection | Up to 4 areas | | | | |
| Network | | | | | |
| Protocols | IPv4, IGMP, ICMP, ARP, TCP, UDP, DHCP, RTP, RTSP, RTCP, DNS, DDNS, NTP, FTP, UPnP, HTTP, HTTPS, SMTP, SSL, QoS | | | | |
| Compatible Integration | ONVIF (Profile S, Profile G, Profile T), API | | | | |
| Interface | | | | | |
| Network | 10M/100M Base-TX Ethernet | | | | |
| Edge Storage | MicroSD, up to 256GB | | | | |
| General | | | | | |
| Power | DC 12V±25%, PoE (IEEE 802.3af) | | | | |
| | Power consumption: Max 6.5W | | | | |
| Dimensions (Ø x H) | Φ148 x 111.3mm (Ø5.8" x 4.4") | | | | |
| Weight | 0.92kg (2.0lb) | | | | |

| | |
|---------------------|--|
| Working Environment | -40°C ~ 60°C (-40°F ~ 140°F), Humidity: ≤95% RH (non-condensing) |
| Ingress Protection | IP67 |
| Vandal Resistant | IK10 |
| Reset Button | Supported |

Dimensions



Zhejiang Uniview Technologies Co., Ltd.

Building No.10, Wanlun Science Park, Jiangling Road 88, Binjiang District, Hangzhou, Zhejiang, China (310051)

Email: overseasbusiness@uniview.com; globalsupport@uniview.com

<http://www.uniview.com>

©2019 Zhejiang Uniview Technologies Co., Ltd. All rights reserved.

*Product specifications and availability are subject to change without notice.